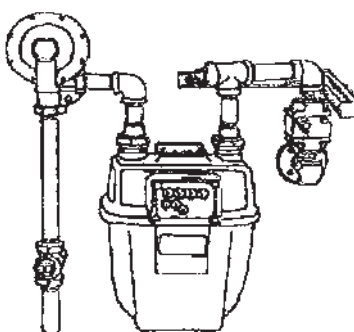


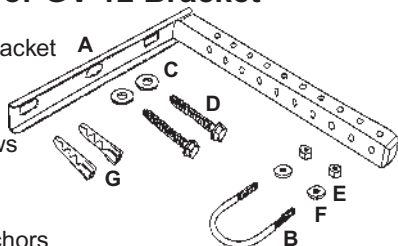
Installation Instructions for Little Firefighter GV-12 Gas Valve Stabilizer Bracket

It is Essential to Stabilize the Little Firefighter Gas Shut-Off Valve Against Excessive Vibration. If the Gas Pipes Connected to the Gas Shut-Off Valve are not Properly Stabilized from the Meter, Nuisance Tripping Will Occur. Install the GV-12 Between the Meter and Gas Shut-Off Valve as Shown, and as Close to the Gas Shut-Off Valve as Possible, to Properly Isolate the Valve from the Meter. Installer must be Gas Company Certified to Install the Valve Before the Meter.



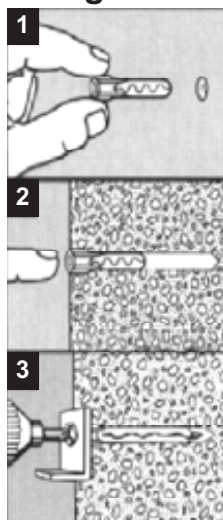
Parts List For GV-12 Bracket

- A. One GV-12 Stabilizer Bracket
- B. One "U" Bolt
- C. Two 3/8" Washers
- D. Two 3/8" X 3" Lag Screws
- E. Two 1/4" Hex Nuts
- F. Two 1/4" Washers
- G. Two A10 Alligator™ Anchors



Mark position for lag screws so that square channel is located next to the pipe closest to Shut-Off Valve. Screw "C" channel into wall stud with Lag Screws. If no stud is available, use the A10 Alligator™ Anchors by following their instructions below.

Instructions for TOGGLER Brand Alligator® Solid State Chemical Anchor



1. Drill Holes 3/8" Dia Thru into Void or 3-1/2" Deep in Solid Material.
2. Insert Anchors.
3. Align Bracket And Drive Screw Flush.

Patented under one or more U.S. Patent numbers 4,294,156; 5,028,186; 5,161,296; and foreign counterparts thereof. Other patents pending.

TOGGLER and Alligator are Worldwide registered trademarks of Mechanical Plastics Corp.

©1999 MPC

Bolt the "U" bolt around the gas pipe nearest the Little Firefighter Gas Valve and through the square channel with the nuts and washers.

Whenever possible GV-12 should be attached to structure following the above method. If Shut-Off Valve is located in an isolated area or can not be attached to the structure, stabilize in the following manner:

ISOLATED INSTALLATIONS

Place a minimum 3" diameter steel pipe into a concrete footing measuring no less than 12" x 12" x 12". Then secure the GV-12 Stabilizer Bracket to the 3" pipe and the shut-off valve. Shut- Off Valves must be readily accessible at all times and not installed in tight enclosures.



WARNING: This product can expose you to chemicals including Chromium, which are known to the State of California to cause cancer and birth defects or other reproductive harm. For more information go to www.P65Warnings.ca.gov.